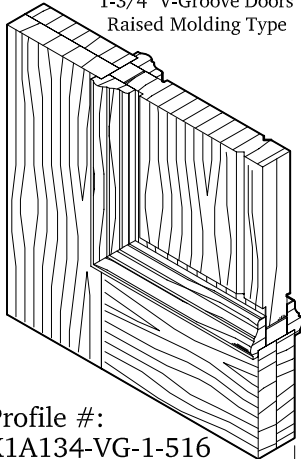


V-GROOVE Series Standard Cross Sections Drawings

* Stain Grade, Clear Wood, with Molding *

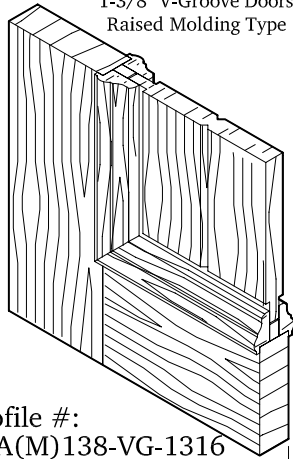
1-3/4" V-Groove Doors
Raised Molding Type



Profile #:
K1A134-VG-1-516

1 3/4"

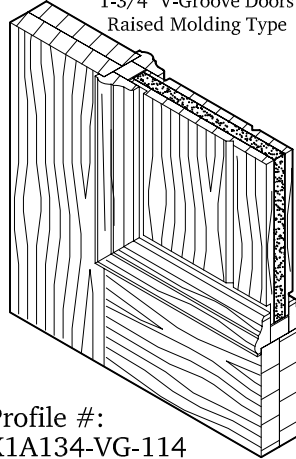
1-3/8" V-Groove Doors
Raised Molding Type



Profile #:
K1A(M)138-VG-1316

1 3/8"

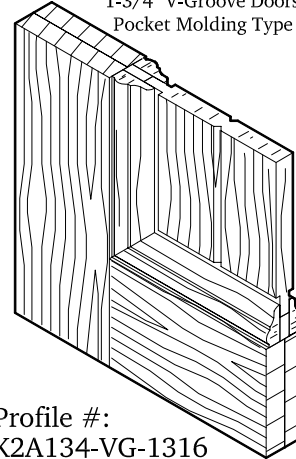
1-3/4" V-Groove Doors
Raised Molding Type



Profile #:
K1A134-VG-114
20-Min FD

1 3/4"

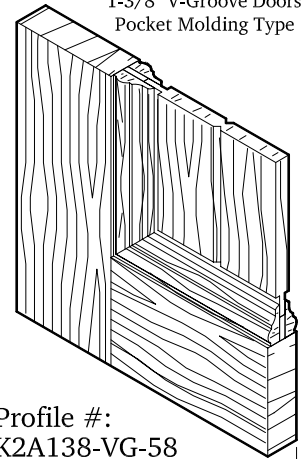
1-3/4" V-Groove Doors
Pocket Molding Type



Profile #:
K2A134-VG-1316

1 3/4"

1-3/8" V-Groove Doors
Pocket Molding Type



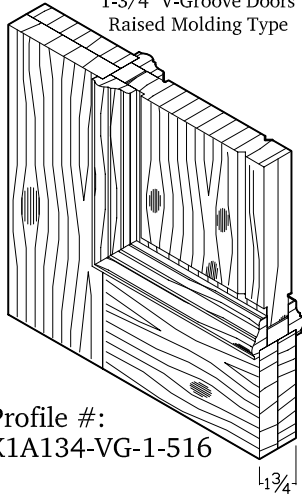
Profile #:
K2A138-VG-58

1 3/8"

V-GROOVE Series Standard Cross Sections Drawings

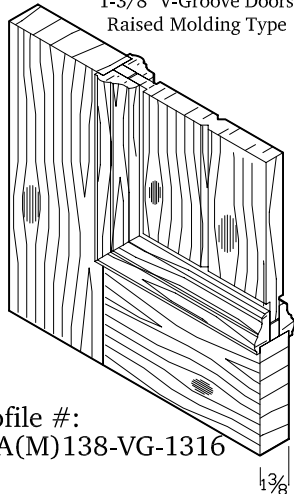
* Stain Grade, Knotty Wood, with Molding *

1-3/4" V-Groove Doors
Raised Molding Type



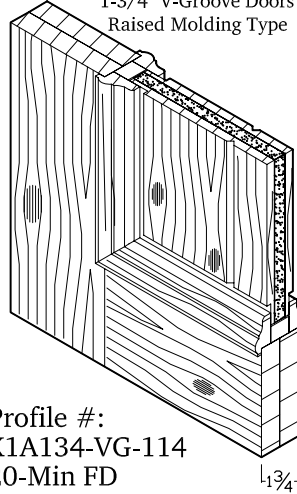
Profile #:
K1A134-VG-1-516

1-3/8" V-Groove Doors
Raised Molding Type



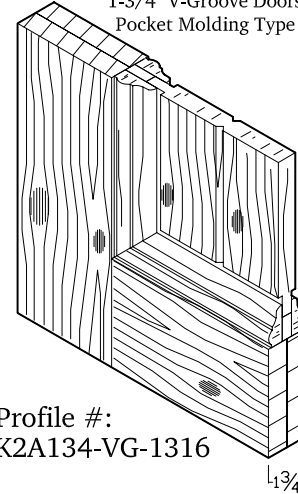
Profile #:
K1A(M)138-VG-1316

1-3/4" V-Groove Doors
Raised Molding Type



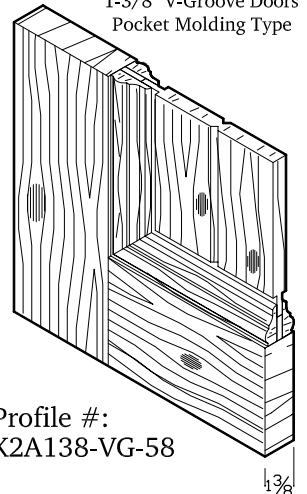
Profile #:
K1A134-VG-114
20-Min FD

1-3/4" V-Groove Doors
Pocket Molding Type



Profile #:
K2A134-VG-1316

1-3/8" V-Groove Doors
Pocket Molding Type



Profile #:
K2A138-VG-58