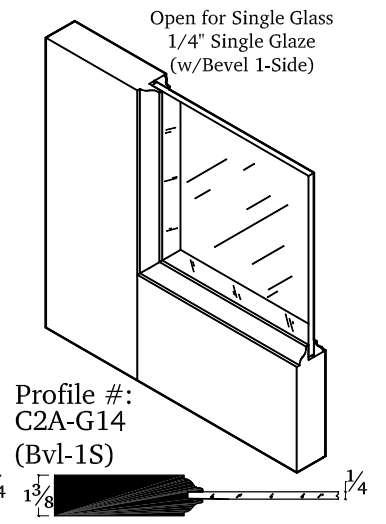
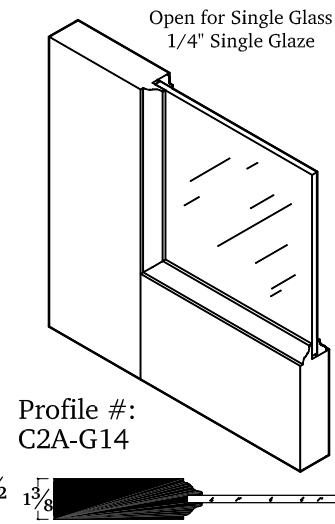
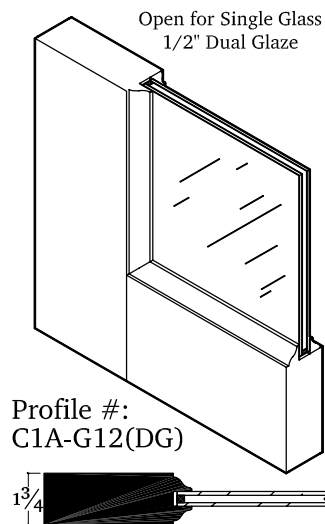
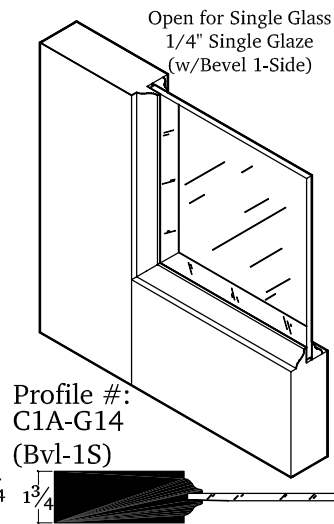
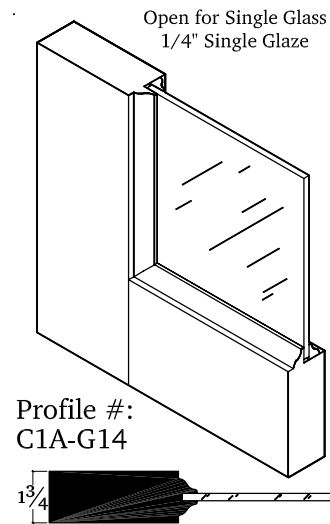
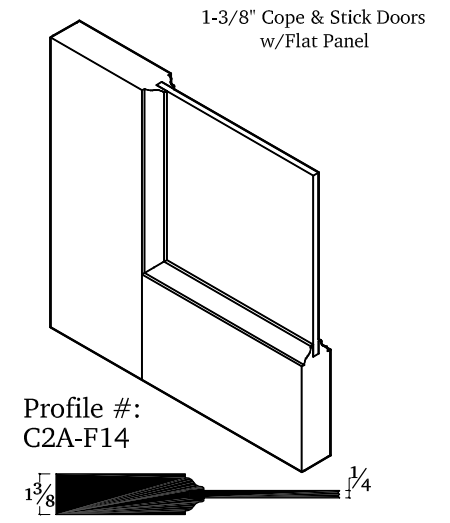
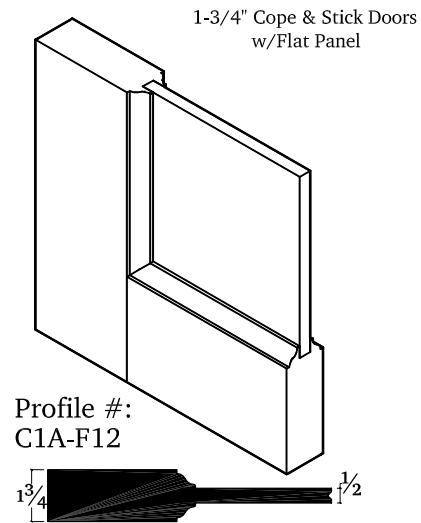
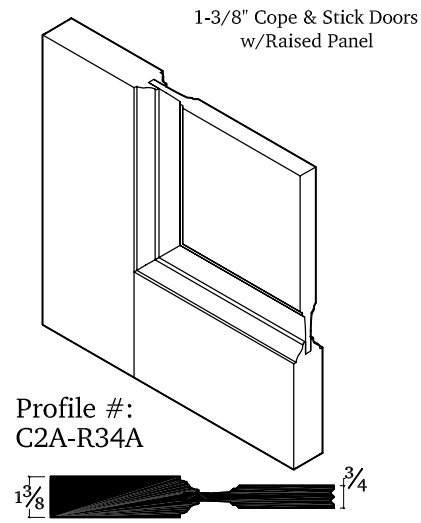
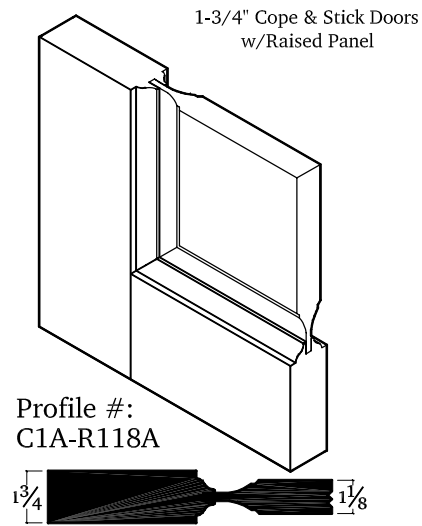
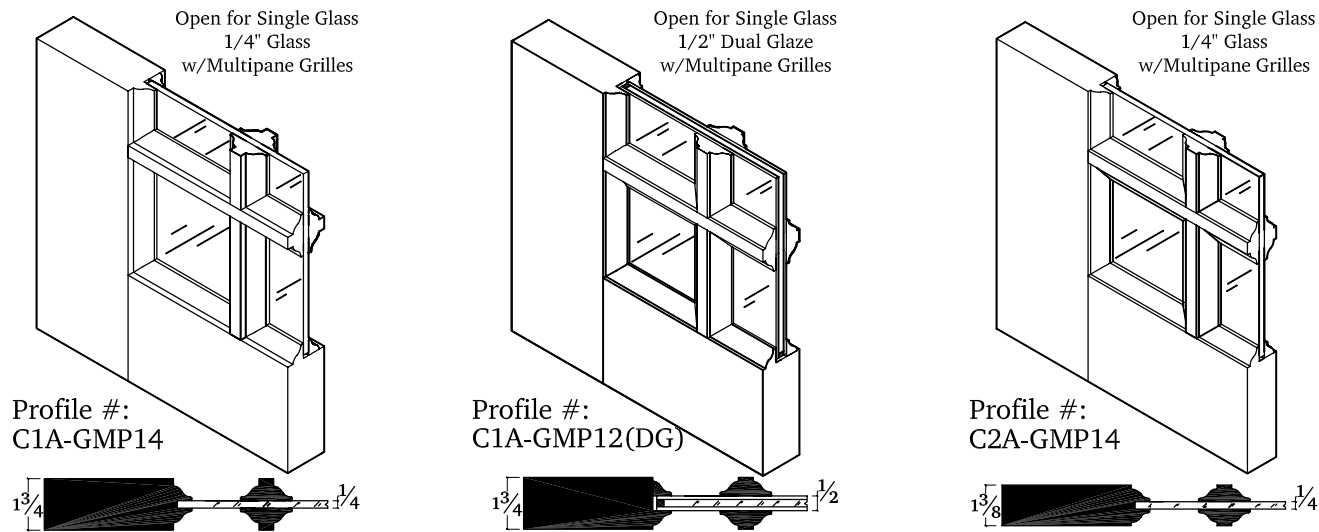
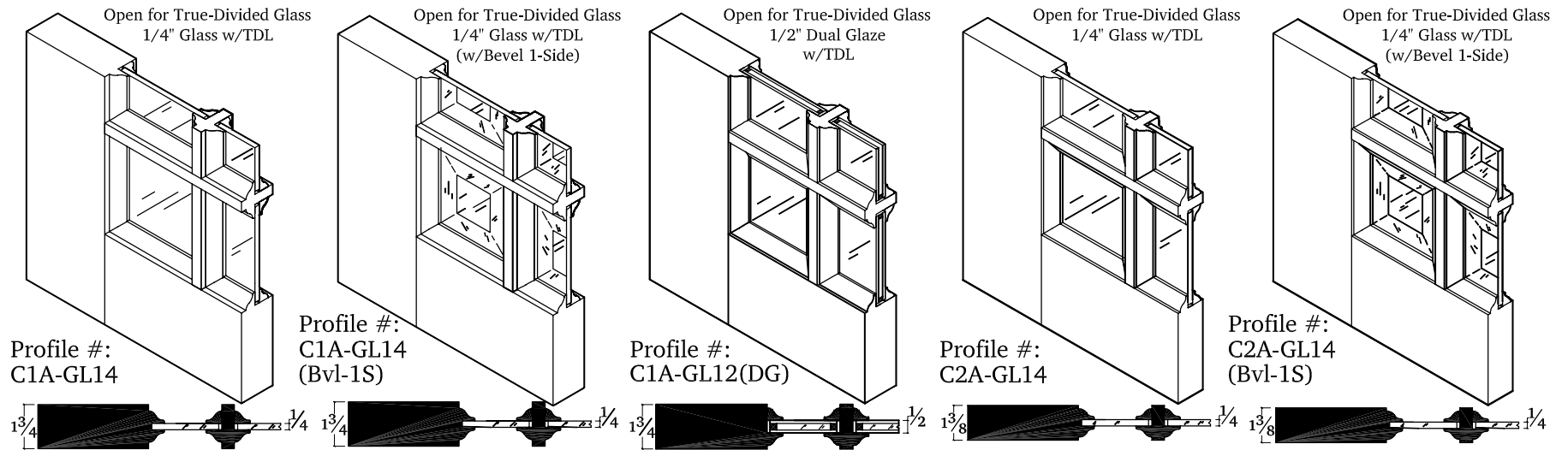


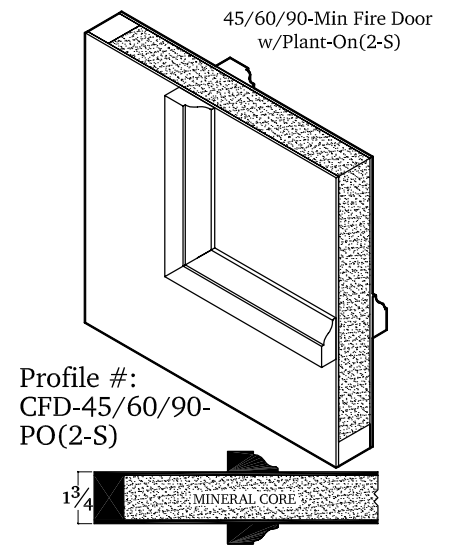
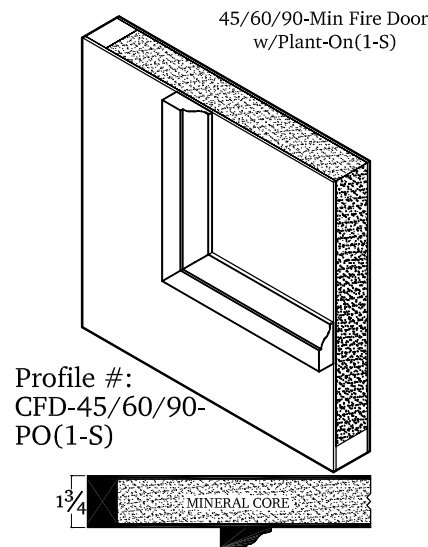
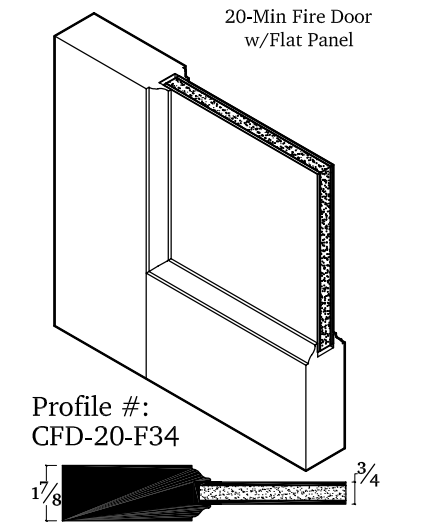
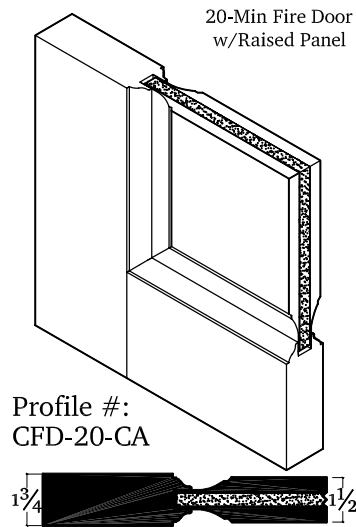
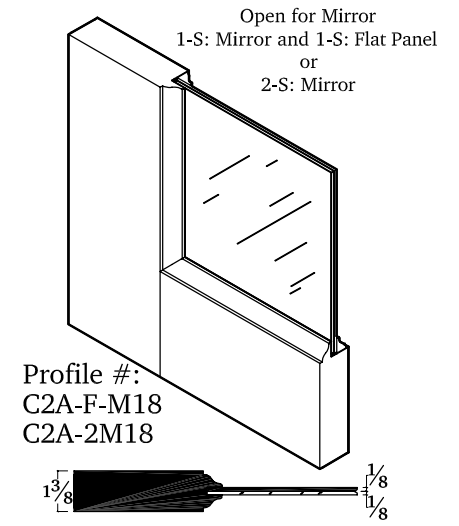
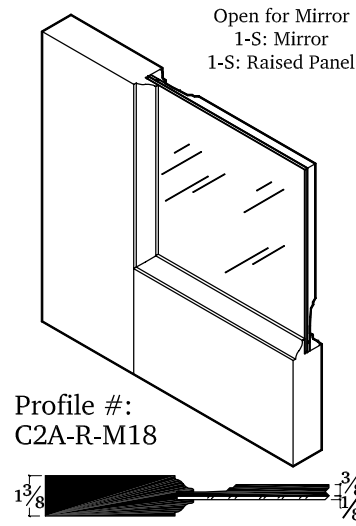
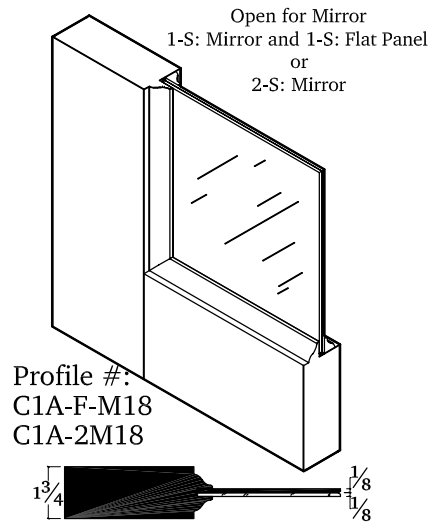
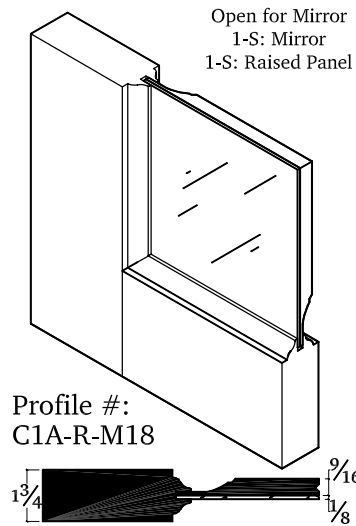
CLASSIC Series Standard Cross Sections Drawings



CLASSIC Series Standard Cross Sections Drawings



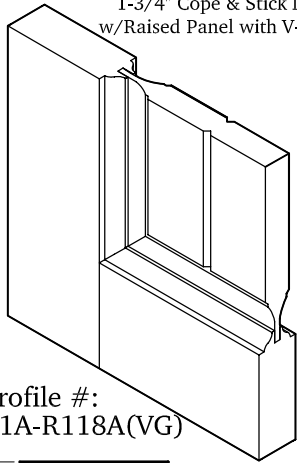
CLASSIC Series Standard Cross Sections Drawings



CLASSIC Series Optional V-Groove Panels Cross Sections Drawings

Available w/Raised Panel Only

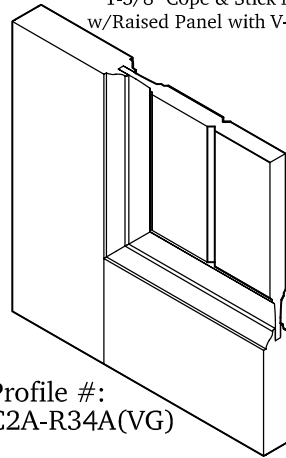
1-3/4" Cope & Stick Doors
w/Raised Panel with V-Groove



Profile #:
C1A-R118A(VG)



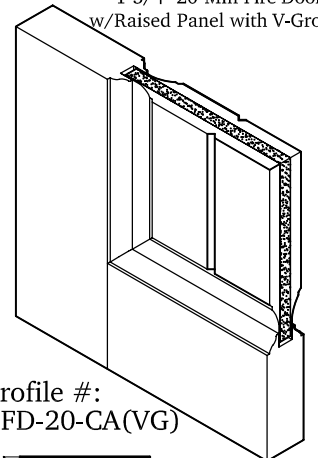
1-3/8" Cope & Stick Doors
w/Raised Panel with V-Groove



Profile #:
C2A-R34A(VG)



1-3/4" 20-Min Fire Door
w/Raised Panel with V-Groove

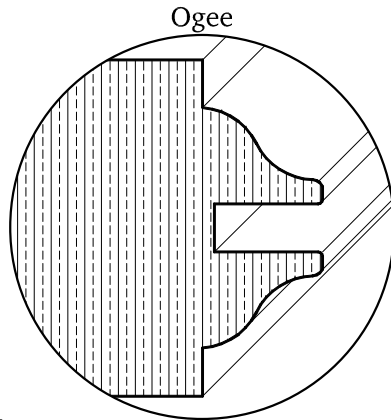
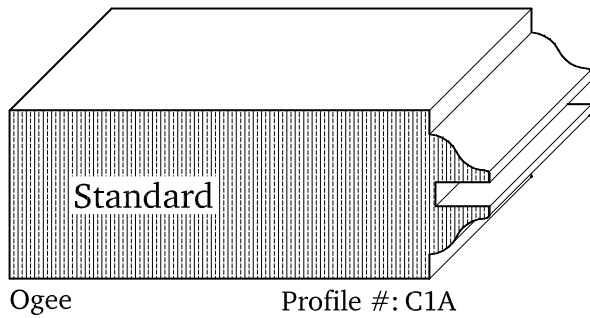


Profile #:
CFD-20-CA(VG)

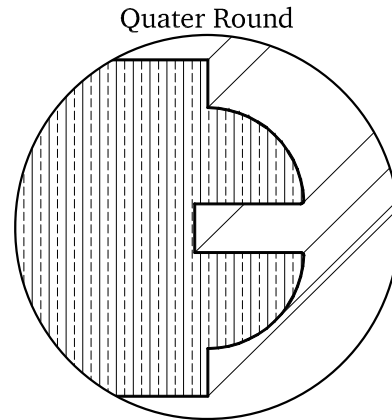


CLASSIC Series Cross Section Drawings

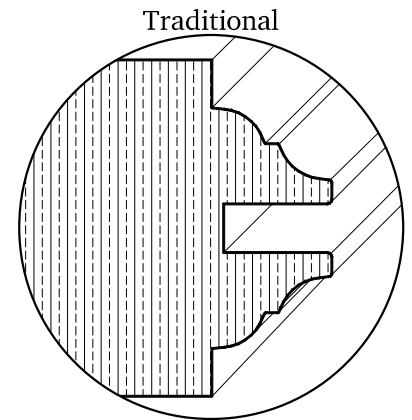
1-3/4" Doors



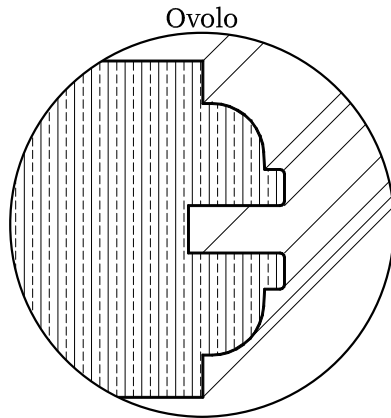
Profile #: C1A (Standard)



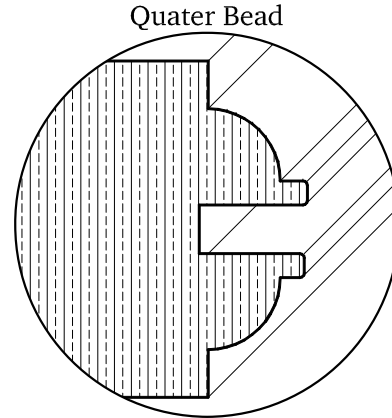
Profile #: QR1 (Optional)



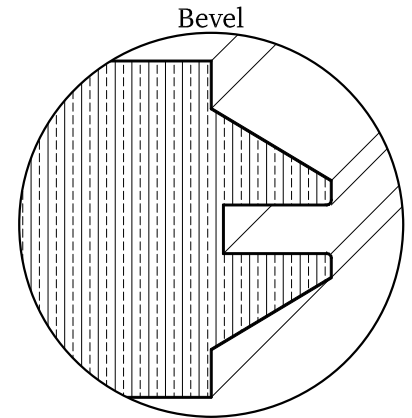
Profile #: TR1 (Optional)



Profile #: C1 (Optional)



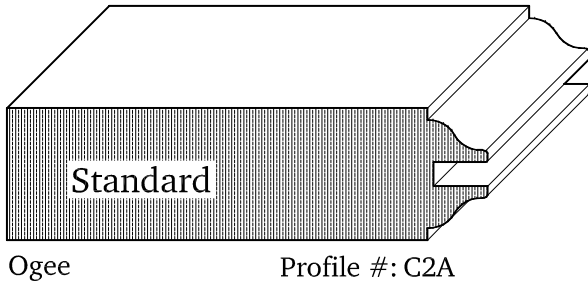
Profile #: QB1 (Optional)



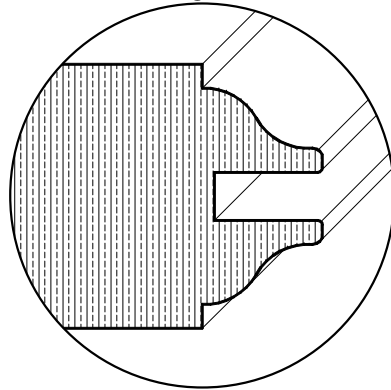
Profile #: BV1 (Optional)

CLASSIC Series Cross Section Drawings

1-3/8" Doors

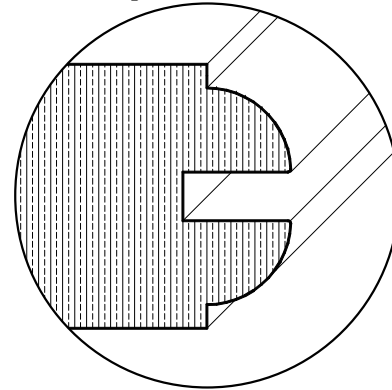


Ogee



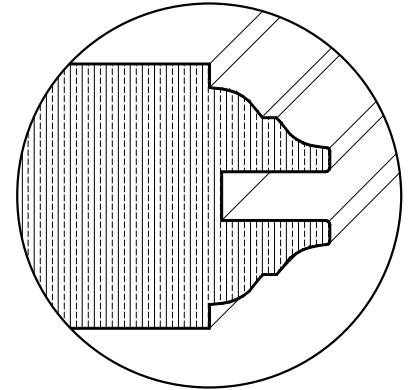
Profile #: C2A (Standard)

Quarter Round



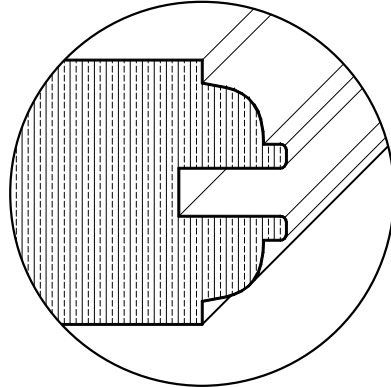
Profile #: QR2 (Optional)

Traditional



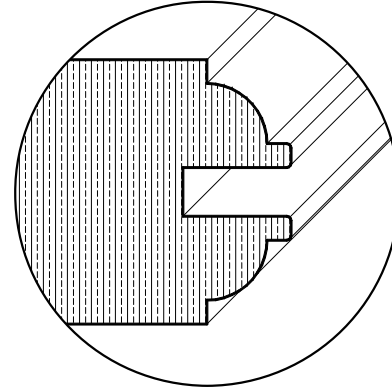
Profile #: TR2 (Optional)

Ovolo



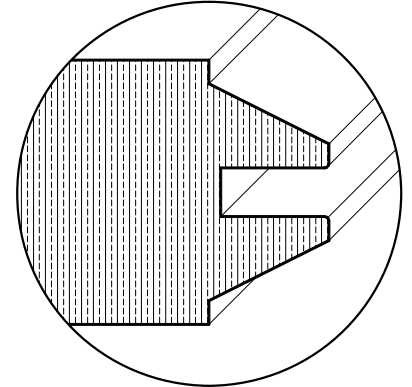
Profile #: C2 (Optional)

Quarter Bead



Profile #: QB2 (Optional)

Bevel



Profile #: BV2 (Optional)